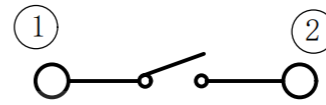
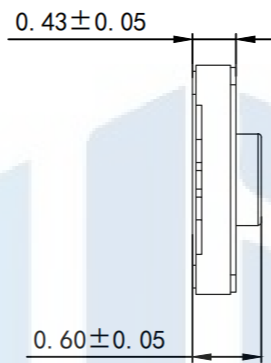
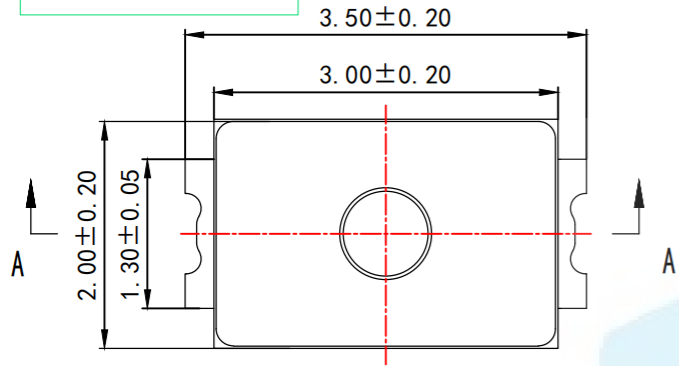
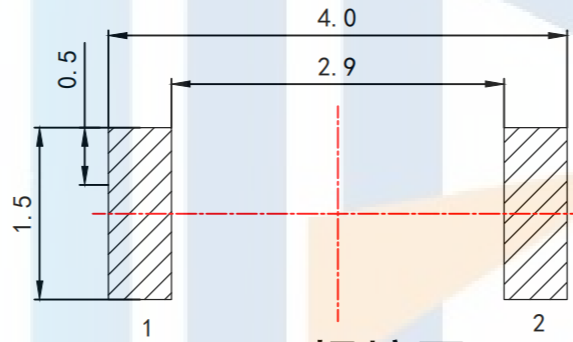
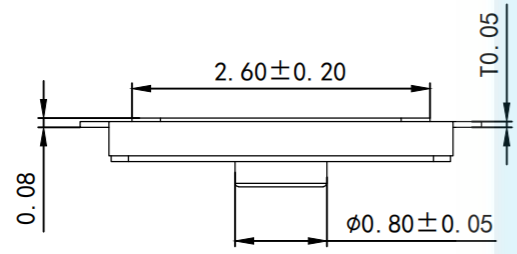
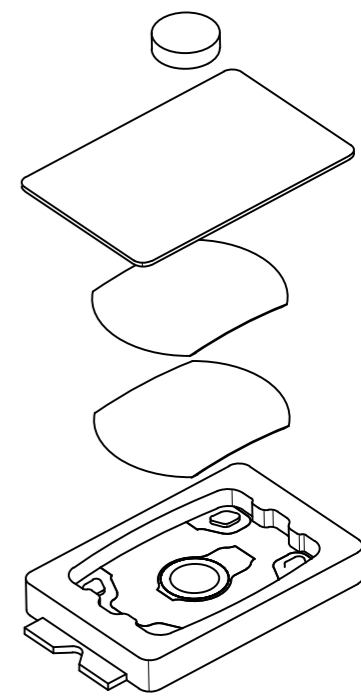


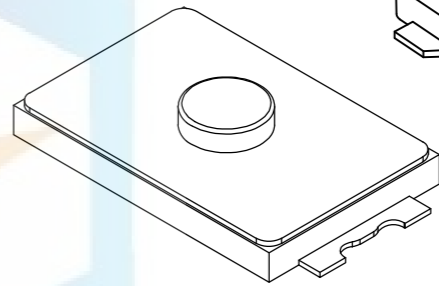
RoHS2.0  
Compliant



电路图



PCB. 焊接图



Key Technical Specifications:

1. Rating: 50mA DC12V
2. Contact resistance:  $\leq 100\text{m}\Omega$
3. Operating force:  $100 \pm 50\text{gf} \sim 350 \pm 50\text{gf}$
4. Itinerary:  $0.20 \pm 0.1\text{mm}$
5. Insulation resistance:  $\geq 100\text{M}\Omega$
6. Electrical strength: 250V 50HZ 1Min.
7. life span: 100,000 Cycles

TOLERANCE			东莞市恒祺电子科技有限公司 Dongguan Hengqi Electronic Technology Co., Ltd		
X. XXX	$\pm 0.05$		<a href="https://www.hq-dz.com">https://www.hq-dz.com</a>		phone: 15812872448
X. XX	$\pm 0.15$	TITLE:		PART NO: HQ-TS-A003	
X. X	$\pm 0.20$	薄膜轻触开关		DRAWING NO: 2*3*0.6白膜	
X.	$\pm 0.30$	DRAWN:	DATE:	18-10-08	
ANGLE	$\pm 5.0^\circ$	CHECKED:	DATE:	18-10-08	
PROTECTON		APPROVED:	DATE:	18-10-08	
			UNIT:	mm	
			SCALE:	FULL	
			SIZE:	A4	